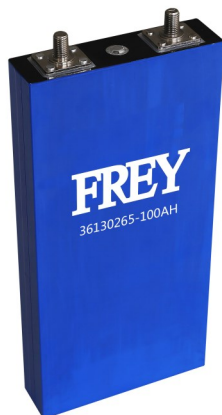


3.2V 100Ah | LITHIUM LiFePO4 CELL | FREY36130265-100PF



CELL FEATURES

- **≥4,000 cycles at 80% Depth of Discharge at 0.5C**
- **Built with the safest Lithium Iron Phosphate chemistry in prismatic aluminum cells**
- **Nanometer LiFePO4 cathode ensures durability, higher power output performance, and superior low-temperature performance**
- **2C constant discharge rate outperforms normal 1C rate batteries**
- **Consistency of each individual cell maximizes packs capacity**
- **Copper stud terminal design, no welding needed, can use an impact gun**
- **Built to last, ideal for powering heavy-duty industrial vehicles and machines**

MECHANICAL SPECIFICATIONS

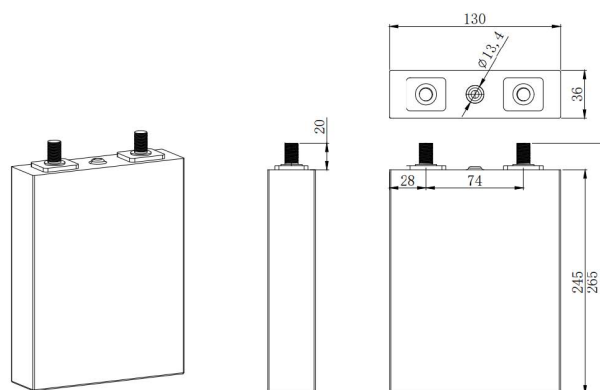
Dimensions (LxWxH)	5.1 x 1.4 x 10.4in
	130 x 36 x 265mm
Weight	2.6Kg
Terminal Type	M10 Copper Nickel Bolt
Chemistry	LiFePO4
Case Material	Aluminum

PERFORMANCE CHARACTERISTICS

Voltage	3.2V
Capacity	102Ah
Energy	326Wh
Max Average Current	200A
Max Peak Current (for 5 seconds)	500A
Peak Power (for 5 seconds)	1,600W
DC Resistance	≤1mΩ

OPERATIONAL SPECIFICATIONS

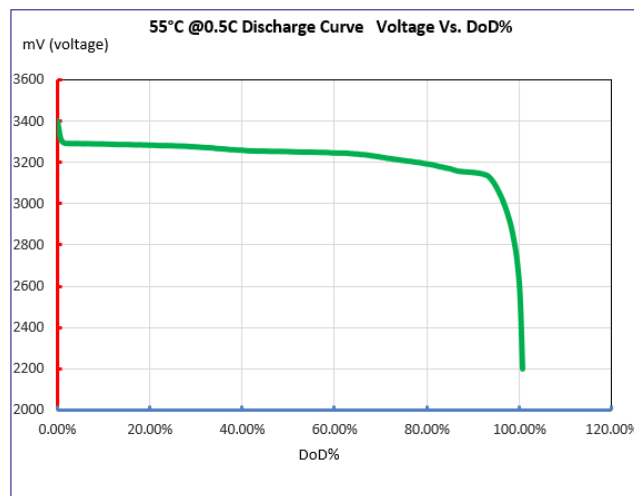
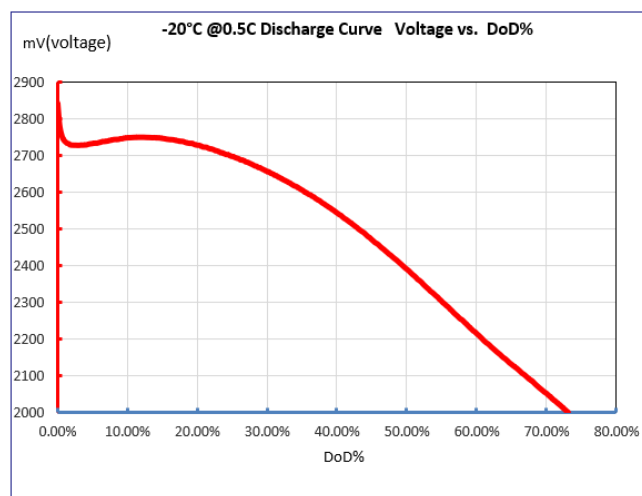
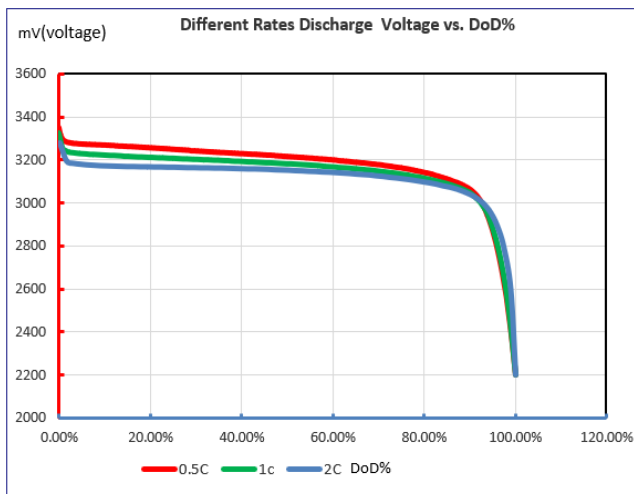
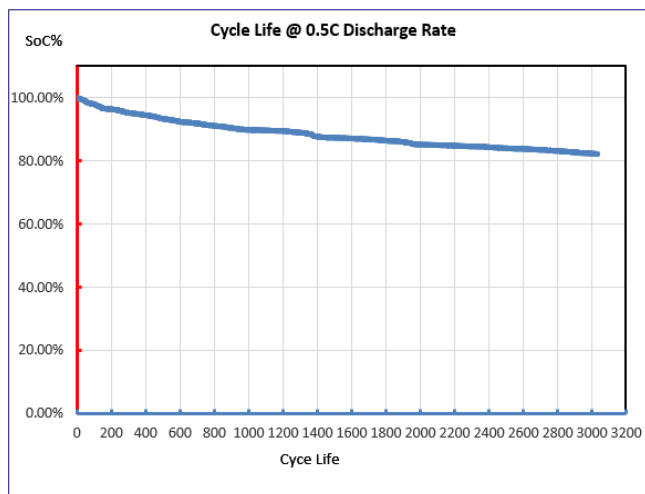
End-of-Charge Voltage	3.65V
End-of-Discharge Voltage	2.5V
Charging Method	0.5C CC/CV
Recommended Charging Current	≤ 50A
Max Peak Charge Current (for 10S)	200A
Charge Temperature Range	0~50°C
Discharge Temperature Range	-20~50°C





3.2V 100Ah | LITHIUM LiFePO4 CELL | FREY36130265-100PF

PERFORMANCE CURVES



COMPLIANCE SPECIFICATION

Certifications	UN38.3
	CE
	ROHS
	MA (Certified to be explosion-proof in underground mining)
	ISO 9001
Shipping Classification	UN3480, CLASS 9

Frey New Energy manufactures, distributes, and sells high-quality lithium battery cells, battery modules, and custom battery packs and systems. We serve industries and markets that demand or desire constant high-capacity power output, extreme durability, longevity, and zero emissions. Our battery solutions are widely used in these applications: class 1, 2, and 3 material handling equipment, mining vehicles and locomotives, aerial work platforms like boom lifts and scissor lifts, airport GSE, floor cleaning machines, robotic AGVs, and other specialty vehicles.